



"The Diamond of the Industry"

The AP SPEC™ Series of High Quality Colored Cord Grips

- Wider and more compression cable ranges to encompass and accommodate specification projects
- Provides a UL liquid tight and strain relief termination for flexible type, neoprene, vinyl, or PVC control cord and cable
- Distinctly colored grommets indicating cable range
- Hexagon compression nut for easier wrenching and consistent torque



UL rated suitable for hazardous locations
Class I, Div. 2; Class II, Div. 1 and 2;
Class III, Div. 1 and 2; NEC 501-4(b), 505-4 (a), 503-3(a)

Straight Connectors

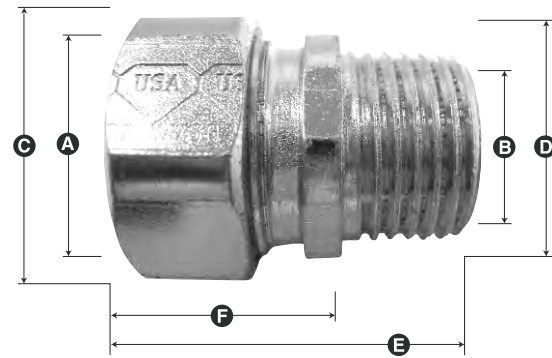
Cat. #	Cross Reference	Color	Size	Cable Ranges		Unit Ctn	Std Pkg	WT/100
				Min.	Max.			
CG1250AM	CG1250S	Red	1/2"	.125	.187	25	250	12
CG1850AM	CG1850S	Brown	1/2"	.187	.312	25	250	12
CG3150AM	CG3150S	Yellow	1/2"	.312	.437	25	250	12
CG3750AM	CG3750S	Purple	1/2"	.375	.500	25	250	12
CG5050AM	CG5050S	Pink	1/2"	.500	.625	25	250	12
CG6250AM	CG6250S	Orange	1/2"	.625	.750	25	250	12
CG1275AM	CG1275S	Blue	3/4"	.125	.250	10	100	16
CG2575AM	CG2575S	Green	3/4"	.250	.375	10	100	16
CG3775AM	CG3775S	Purple	3/4"	.375	.500	10	100	16
CG5075AM	CG5075S	Pink	3/4"	.500	.625	10	100	16
CG6275AM	CG6275S	Orange	3/4"	.625	.750	10	100	19
CG7575AM	CG7575S	Gray	3/4"	.750	.875	10	100	19
CG37100AM	CG37100S	Purple	1"	.375	.500	5	50	28
CG50100AM	CG50100S	Pink	1"	.500	.625	5	50	28
CG62100AM	CG62100S	Orange	1"	.625	.750	5	50	28
CG75100AM	CG75100S	Gray	1"	.750	.875	5	50	28
CG87100AM	CG87100S	Red	1"	.875	1.000	5	50	28
CG100100AM	CG100100S	Blue	1"	1.000	1.125	5	50	28
CG75125AM	CG75125S	Gray	1-1/4"	.750	.875	5	25	48
CG87125AM	CG87125S	Red	1-1/4"	.875	1.000	5	25	48
CG100125AM	CG100125S	Blue	1-1/4"	1.000	1.125	5	25	48
CG112125AM	CG112125S	Brown	1-1/4"	1.125	1.250	5	25	48
CG125125AM	CG125125S	Green	1-1/4"	1.250	1.375	5	25	48
CG137125AM	CG137125S	Yellow	1-1/4"	1.375	1.500	5	25	48
CG115150AM	CG115150S	Purple	1-1/2"	1.156	1.312	2	20	90
CG128150AM	CG128150S	Pink	1-1/2"	1.281	1.531	2	20	90
CG153200AM	CG153200S	Orange	2"	1.531	1.780	2	20	105



"The Diamond of the Industry"

The AP SPEC™

Dimensional Information Straight Connectors



Cat. #	Size	A Cable Min.	Ranges Max.	B Max Cable Core Dia.	C Cross Corner Gland Nut O.D.	D Hex Body O.D.	E Overall Length*	F Exposed Length*
CG1250AM	1/2"	.125	.187	.625	1.160	.975	1-5/16"	5/8"
CG1850AM	1/2"	.187	.312	.625	1.160	.975	1-5/16"	5/8"
CG3150AM	1/2"	.312	.437	.625	1.160	.975	1-5/16"	5/8"
CG3750AM	1/2"	.375	.500	.625	1.160	.975	1-5/16"	5/8"
CG5050AM	1/2"	.500	.625	.625	1.160	.975	1-5/16"	5/8"
CG6250AM	1/2"	.625	.750	.625	1.425	1.220	1-5/16"	7/8"
CG1275AM	3/4"	.125	.250	.810	1.425	1.220	1-5/8"	13/16"
CG2575AM	3/4"	.250	.375	.810	1.425	1.220	1-5/8"	13/16"
CG3775AM	3/4"	.375	.500	.810	1.425	1.220	1-5/8"	13/16"
CG5075AM	3/4"	.500	.625	.810	1.425	1.220	1-5/8"	13/16"
CG6275AM	3/4"	.625	.750	.810	1.425	1.220	1-5/8"	1-1/32"
CG7575AM	3/4"	.750	.875	.810	1.425	1.220	1-5/8"	1-1/32"
CG37100AM	1"	.375	.500	.900	1.425	1.500	1-3/4"	1-1/8"
CG50100AM	1"	.500	.625	.900	1.425	1.500	1-3/4"	1-1/8"
CG62100AM	1"	.625	.750	.900	1.425	1.500	1-3/4"	1-1/8"
CG75100AM	1"	.750	.875	.900	1.425	1.500	1-3/4"	1-1/8"
CG87100AM	1"	.875	1.000	1.050	1.700	1.500	1-7/8"	1-3/16"
CG100100AM	1"	1.000	1.125	1.050	1.700	1.500	1-7/8"	1-3/16"
CG75125AM	1-1/4"	.750	.875	1.187	1.700	1.900	1-7/8"	1-1/4"
CG87125AM	1-1/4"	.875	1.000	1.187	1.700	1.900	1-7/8"	1-1/4"
CG100125AM	1-1/4"	1.000	1.125	1.187	1.700	1.900	1-7/8"	1-1/4"
CG112125AM	1-1/4"	1.125	1.250	1.390	2.030	1.900	1-7/8"	1-1/4"
CG125125AM	1-1/4"	1.250	1.375	1.390	2.030	1.900	1-15/16"	1-1/4"
CG137125AM	1-1/4"	1.375	1.500	1.390	2.030	1.900	1-15/16"	1-1/4"
CG115150AM	1-1/2"	1.156	1.312	1.625	2.370	2.280	2-1/4"	1-5/16"
CG128150AM	1-1/2"	1.281	1.531	1.625	2.370	2.280	2-1/4"	1-5/16"
CG153200AM	2"	1.531	1.780	2.050	2.875	2.280	2-1/2"	1-5/16"

*Normal: may vary slightly depending on cable's diameter