



"The Diamond of the Industry"

Liquid Tight Connectors - Zinc Die Cast

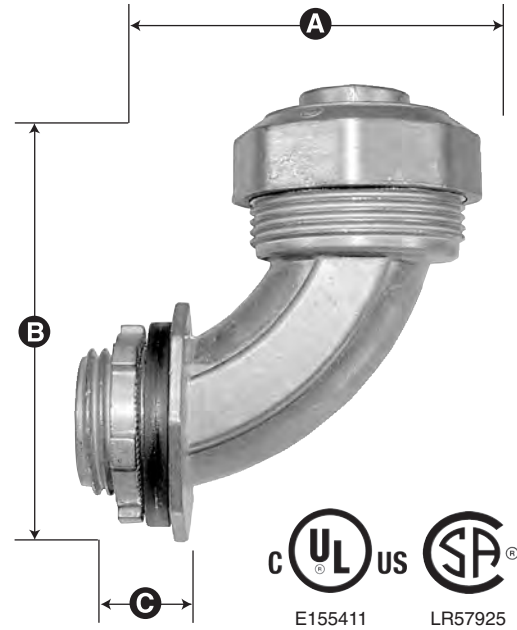
- Reusable fittings
- For use with metallic and non-metallic liquid tight conduit, type B

90° Angle Connectors

Cat. #	Size	Unit Ctn	Std Pkg	WT/100
LTC389	3/8"	10	100	27
LTC509	1/2"	10	100	28
LTC759	3/4"	5	50	38
LTC1009	1"	5	25	64
LTC1259	1-1/4"	5	20	100
LTC1509	1-1/2"	2	10	130
LTC2009	2"	1	5	190

90° Angle Connectors with Insulated Throat

Cat. #	Size	Unit Ctn	Std Pkg	WT/100
LTC389B	3/8"	10	100	28
LTC509B	1/2"	10	100	29
LTC759B	3/4"	5	50	39
LTC1009B	1"	5	25	66
LTC1259B	1-1/4"	5	20	105
LTC1509B	1-1/2"	2	10	130
LTC2009B	2"	1	5	200
LTC2509B	2-1/2"	-	1	400
LTC3009B	3"	-	1	500
LTC3509B	3-1/2"	-	1	600
LTC4009B	4"	-	1	700



Dimensional Table

Cat. #	A	B	C Length of Thread
LTC389/B	2.062	2.340	.52
LTC509/B	2.220	2.340	.52
LTC759/B	2.550	3.550	.68
LTC1009/B	2.820	3.785	.67
LTC1259/B	3.362	3.960	.70
LTC1509/B	3.450	4.130	.70
LTC2009/B	4.036	4.700	.57
LTC2509B	5.215	5.375	.77
LTC3009B	6.100	6.500	1.10
LTC3509B	6.715	7.450	1.10
LTC4009B	6.780	8.000	1.10