

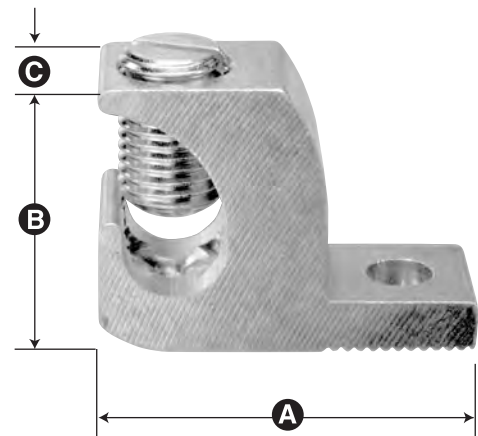


"The Diamond of the Industry"

## Solderless Lugs

- Lay-in connectors
- High strength, high conductive aluminum alloy 6061
- Tin over copper plating

Cat. #	wire range CU-AL	Unit Ctn	Std Pkg	WT/ 100
GLA4	4-14	50	500	2
GLA0	1/0-8	25	250	7
GLA250	250 mcm-6	10	100	19



*Dimensional Table*

Cat. #	A	B	C
GLA4	1.07	.75	.38
GLA0	1.50	1.10	.60
GLA250	2.20	1.70	.80